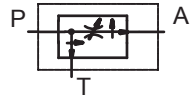
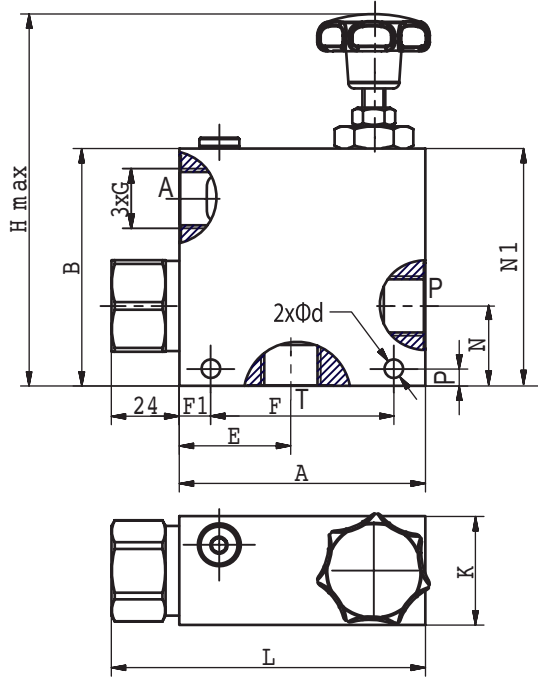


# VÁLVULAS REGULADORAS CAUDAL COMPENSADAS

## COMPENSATED FLOW CONTROL VALVES

**3 VIAS - EXCES. TANQUE**  
3 WAY - EXCESS TANK



	G	P	Q	Q	A	B	E	F	F1	N	N1	P	K	H	H1	L	L1	d
--	---	---	---	---	---	---	---	---	----	---	----	---	---	---	----	---	----	---

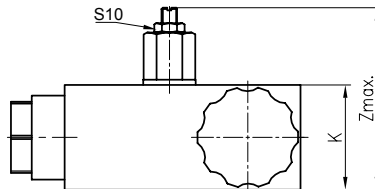
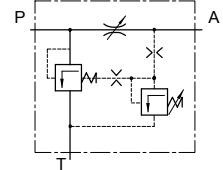
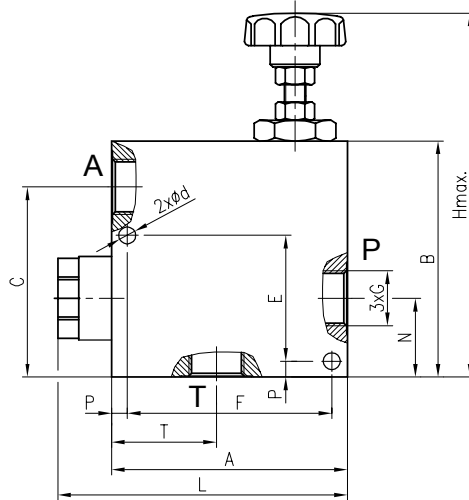
REFERÊNCIA  
CODE

		max. bar	min. l/min.	max. l/min.	port P	port A	mm	mm	mm	mm	mm	mm	mm	mm	mm	mm	mm	mm	mm
<b>H15.50.00006</b>	3/8"	250	2	50	30	86	83	39	64	11	28	65,5	6	38	120	129	110	115	6,5
<b>H15.50.00008</b>	1/2"	250	2	80	50	86	83	39	64	11	28	65,5	6	38	120	129	110	115	6,5
<b>H15.50.00010</b>	3/4"	250	2	120	70	95	110	39	75	10	35	87,5	7	50	165	160	119	129	8,5

# VÁLVULAS REGULADORAS CAUDAL COMPENSADAS

## COMPENSATED FLOW CONTROL VALVES

**PRIORIT. 3 VIAS EXCES. TANQUE C/LIM**  
W/ PRESS. CONTROL 3 WAY EXCESS TANK



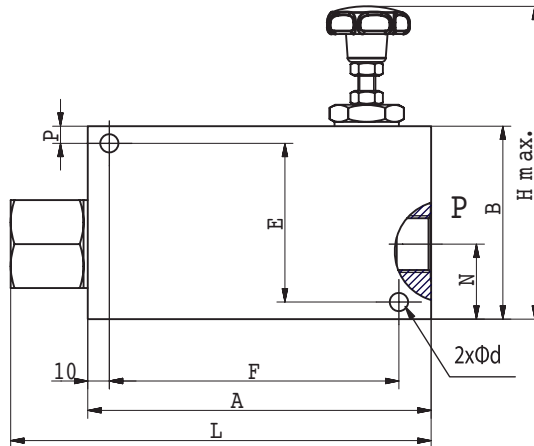
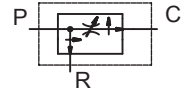
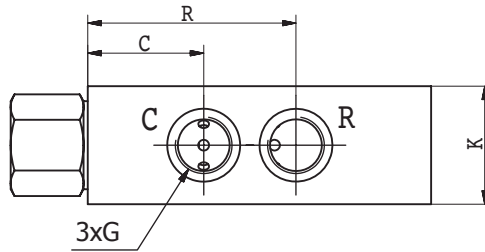
G	P	Q	Q	A	C	E	F	N	P	K	H	L	d	Z	T
---	---	---	---	---	---	---	---	---	---	---	---	---	---	---	---

REFERÊNCIA CODE	max. bar	min. l/min.	max. l/min.		port P	port A	mm	mm	mm	mm	mm	mm	mm	mm	mm	mm	
			mm	mm													
H15.50.0007	3/8"	250	2	60	40	90	72,5	48	78	30	6	40	129	110,5	6,5	71	40
H15.50.0009	1/2"	250	2	90	50	90	72,5	48	78	30	6	40	129	110,5	6,5	71	40
H15.50.00011	3/4"	250	2	150	90	110	85	55,5	94	35	8	49	144	145	8,5	80	44

# VÁLVULAS REGULADORAS CAUDAL COMPENSADAS

## COMPENSATED FLOW CONTROL VALVES

**3 VIAS - EXC. PRESSÃO**  
3 WAY - PRESSION EXCESS



G P Q Q A B C E F P K N R H L d

REFERÊNCIA  
CODE

REFERÊNCIA CODE	max. bar	min. l/min.	max. l/min.	port		A mm	B mm	C mm	E mm	F mm	P mm	K mm	N mm	R mm	H mm	L mm	d mm
				port P	port A												
<b>H15.51.00006</b>	3/8"	250	2	60	40	134	70	45	58	114	6	40	28	82	122	171	6,5
<b>H15.51.00008</b>	1/2"	250	2	90	50	134	70	45	58	114	6	40	28	82	122	171	6,5
<b>H15.51.00010</b>	3/4"	250	2	165	90	160	90	54	74	135	8	55	35	97	146	196	8,5